

Masport[®] Heating

FREESTANDING WOOD FIRES

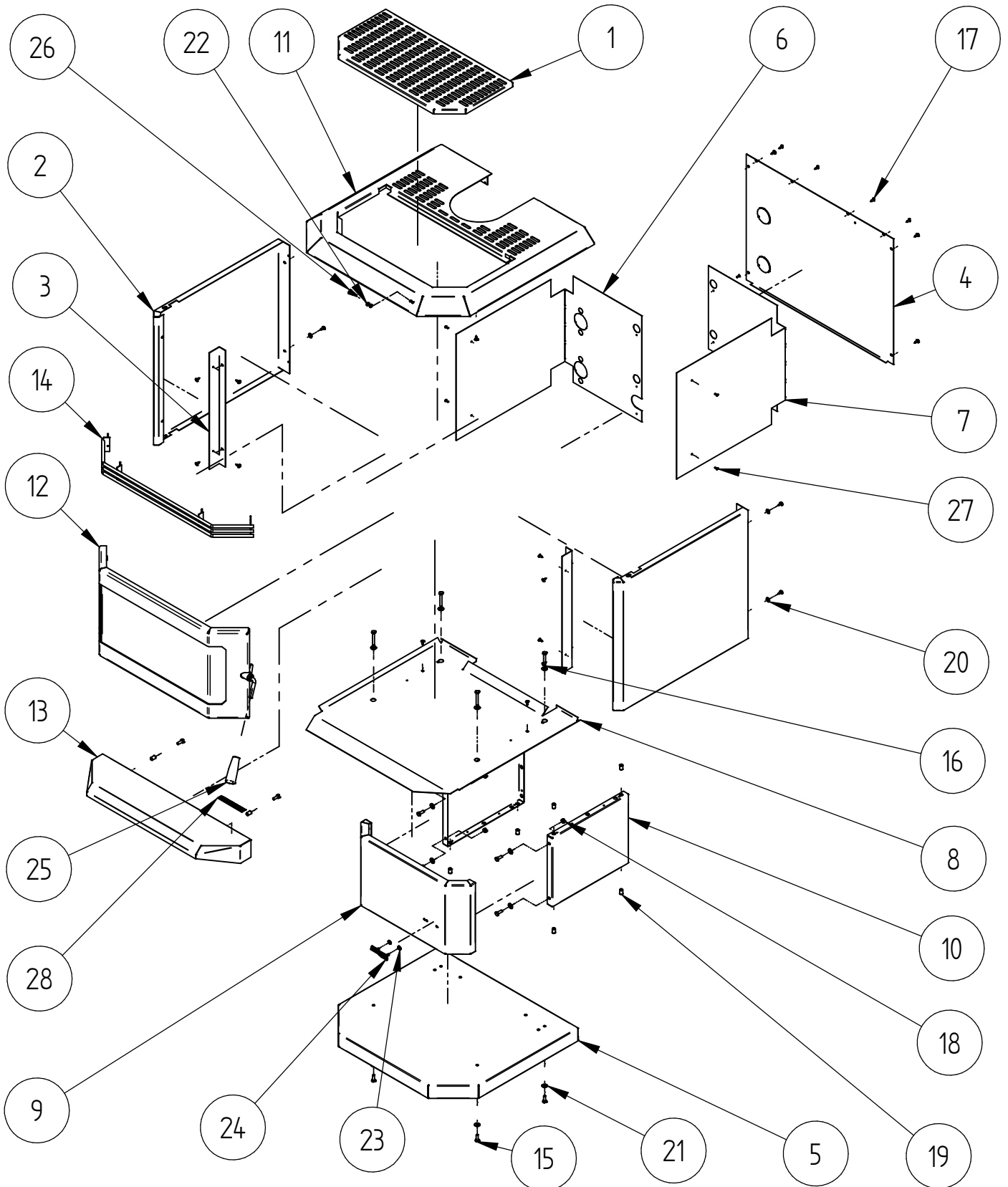
ATLANTA BAY NEW ZEALAND

Item No.	MARKET	FUEL TYPE	FINISHING	YEAR	FAN
ATNBK*	NZ	SOFTWOOD	Matte Black Enamel	NOV-2002	Rural Only
992913				NOV-2010	No
992921				MAR-2013	

*LOGAIRE BRAND



PANELS, DOOR AND PEDESTAL (Pre-2013)



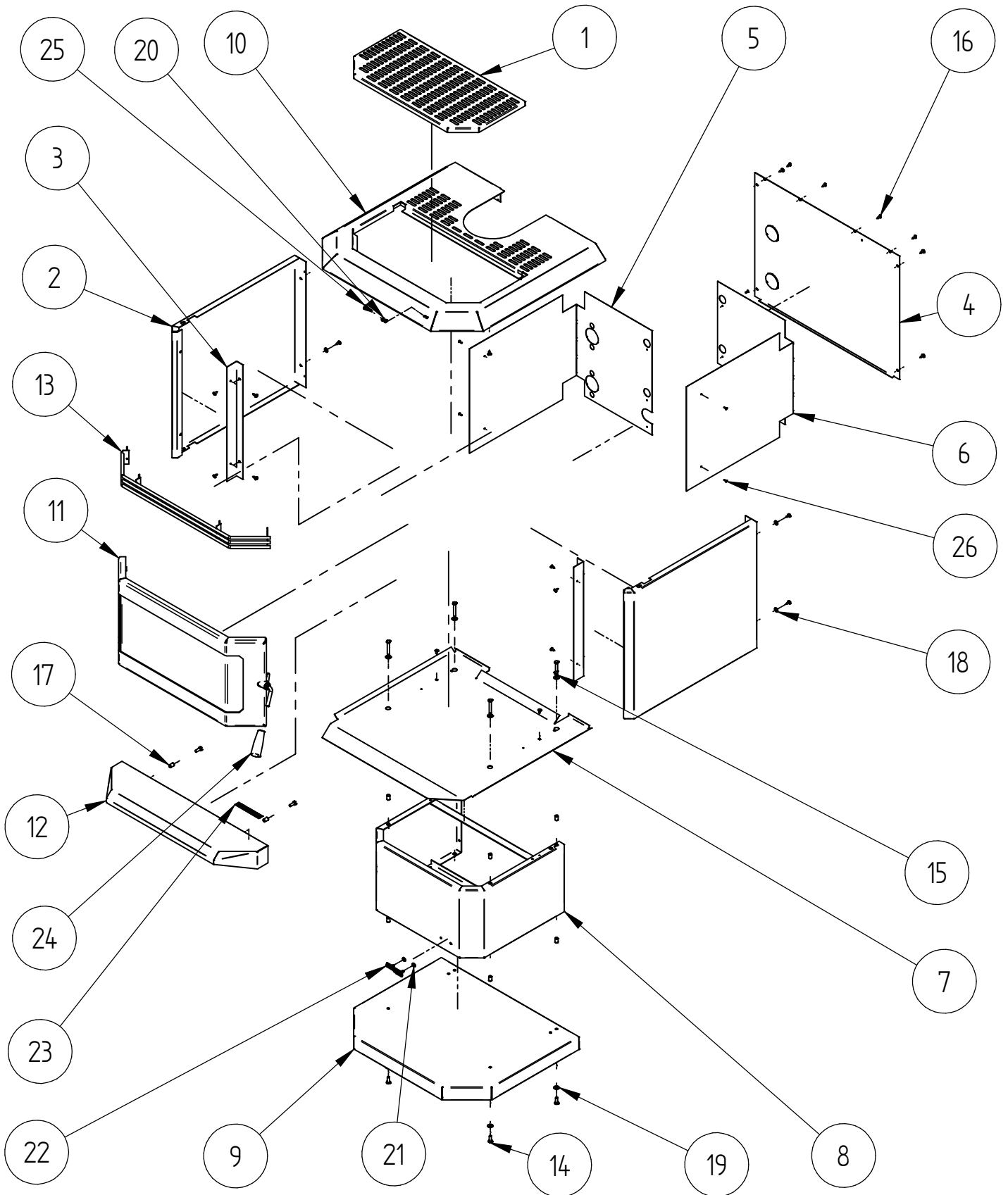
When ordering PLEASE QUOTE PART ID, MODEL Number & DESCRIPTIONS, NOT ITEM Number
determining left hand side from viewing position

PANELS, DOOR AND PEDESTAL (Pre-2013)					
Item	Part ID	Model(s)		Description	Qty
		ATNBK	992913		
1	ATN00003	E01	E01	ATN GRILL PANEL	1
2	ATN00006	E01	E01	ATN SIDE PANEL	2
3	ATN00009	V02	V02	ATN SIDE PANEL ANGLE	2
4	ATN00012	-	-	ATN REAR HEAT SHIELD	1
5	ATN00025	E01	E01	ATN PEDESTAL BASE	1
6	ATN00039	-	-	ATN L/H INNER HEAT SHIELD	1
7	ATN00040	-	-	ATN R/H INNER HEAT SHIELD	1
8	ATN00176	-	-	ATN BASE HEAT SHIELD	1
9	ATN00177	E01	E01	ATN PEDESTAL FRONT	1
10	ATN00178	E01	E01	ATN PEDESTAL SIDES	2
11	ATNAC001	E01	E01	ATN TOP PANEL COMPLETE ASSEMBLY	1
12	ATNAC730	E01	E01	ATN FINISHED DOOR ASSEMBLY	1
13	HBAAC011	E01	E01	HBA ASH SHELF ASSEMBLY	1
14	HBAAC017	-	-	HBA LOUVRE ASSEMBLY	1
15	521076	-	-	SCREW; M6X16 HEX ZP	10
16	521077	-	-	SCREW; M6X40 HEX ZP	4
17	521645	-	-	SCREW; S/T 8GX1/2" MUSH FLANGE POZI BLK	24
18	522117	-	-	NUT; HEX STD M6 ZP	4
19	522611	-	-	NUT; RIVNUT THN/SHT M6X13.5	10
20	523011	-	-	WASHER; FLAT 3/16"X1/2"X1/16" FIBRE	4
21	523036	-	-	WASHER; FLAT 1/4"X5/8" BLK	12
22	526008	-	-	CLIP; STARLOCK M3	2
23	526009	-	-	CLIP; STARLOCK M4	2
24	587835	-	-	BADGE MASPORT HEATING	1
25	MIC00376	-	-	MIC DOOR HANDLE	1
26	MIC00744	-	-	MIC HILO BADGE	1
27	524002	-	-	RIVET; 73 AS 4-3	7
28	595695	-	-	DECAL "BURN ONLY" COMBINED NZ/AUS	1
30*	ATN00180	-	-	FAN ASSY COMPL ATLANTA FERGA BLK PKD	1

*Optional Sale Kit

When ordering PLEASE QUOTE PART ID, MODEL Number & DESCRIPTIONS, NOT ITEM Number
determining left hand side from viewing position

PANELS, DOOR AND PEDESTAL (2013 Onwards)

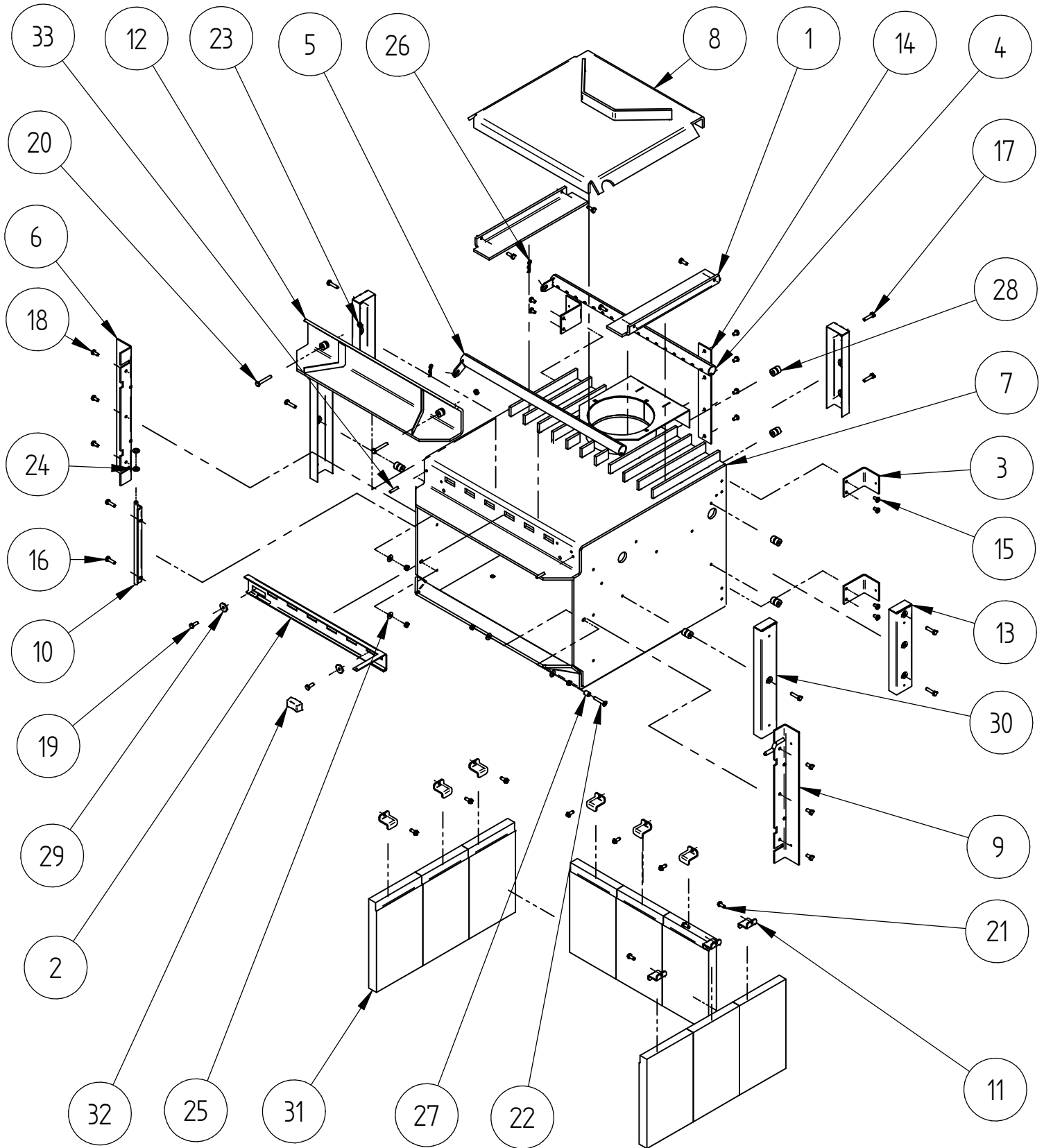


When ordering PLEASE QUOTE PART ID, MODEL Number & DESCRIPTIONS, NOT ITEM Number
determining left hand side from viewing position

PANELS, DOOR AND PEDESTAL (2013 Onwards)				
Item	Part ID	Model(s)	Description	Qty
		992921		
1	ATN00003	E01	ATN GRILL PANEL	1
2	ATN00006	E01	ATN SIDE PANEL	2
3	ATN00009	VO2	ATN SIDE PANEL ANGLE	2
4	ATN00012	-	ATN REAR HEAT SHIELD	1
5	ATN00039	-	ATN L/H INNER HEAT SHIELD	1
6	ATN00040	-	ATN R/H INNER HEAT SHIELD	1
7	ATN00176	-	ATN BASE HEAT SHIELD	1
8	ATNAC175	PO2	ATN PEDESTAL ASSEMBLY	1
9	ATN00174	PO2	ATN PEDESTAL BASE	1
10	ATNAC001	E01	ATN TOP PANEL COMPLETE ASSEMBLY	1
11	ATNAC730	E01	ATN FINISHED DOOR ASSEMBLY	1
12	HBAAC011	E01	HBA ASH SHELF ASSEMBLY	1
13	HBAAC017	-	HBA LOUVRE ASSEMBLY	1
14	521076	-	SCREW; M6X16 HEX ZP	6
15	521077	-	SCREW; M6X40 HEX ZP	4
16	521645	-	SCREW; S/T 8GX1/2" MUSH FLANGE POZI BLK	24
17	522611	-	NUT; RIVNUT THN/SHT M6X13.5	10
18	523011	-	WASHER; FLAT 3/16"X1/2"X1/16" FIBRE	4
19	523036	-	WASHER; FLAT 1/4"X5/8" BLK	8
20	526008	-	CLIP; STARLOCK M3	2
21	526009	-	CLIP; STARLOCK M4	2
22	587835	-	BADGE MASPORT HEATING	1
23	595695	-	DECAL "BURN ONLY" COMBINED NZ/AUS	1
24	MIC00376	-	MIC DOOR HANDLE	1
25	MIC00744	-	MIC HILO BADGE	1
26	524002	-	RIVET; 73 AS 4-3	7

When ordering PLEASE QUOTE PART ID, MODEL Number & DESCRIPTIONS, NOT ITEM Number
determining left hand side from viewing position

AIRSLIDE, BAFFLE, BRICKS AND FIREBOX



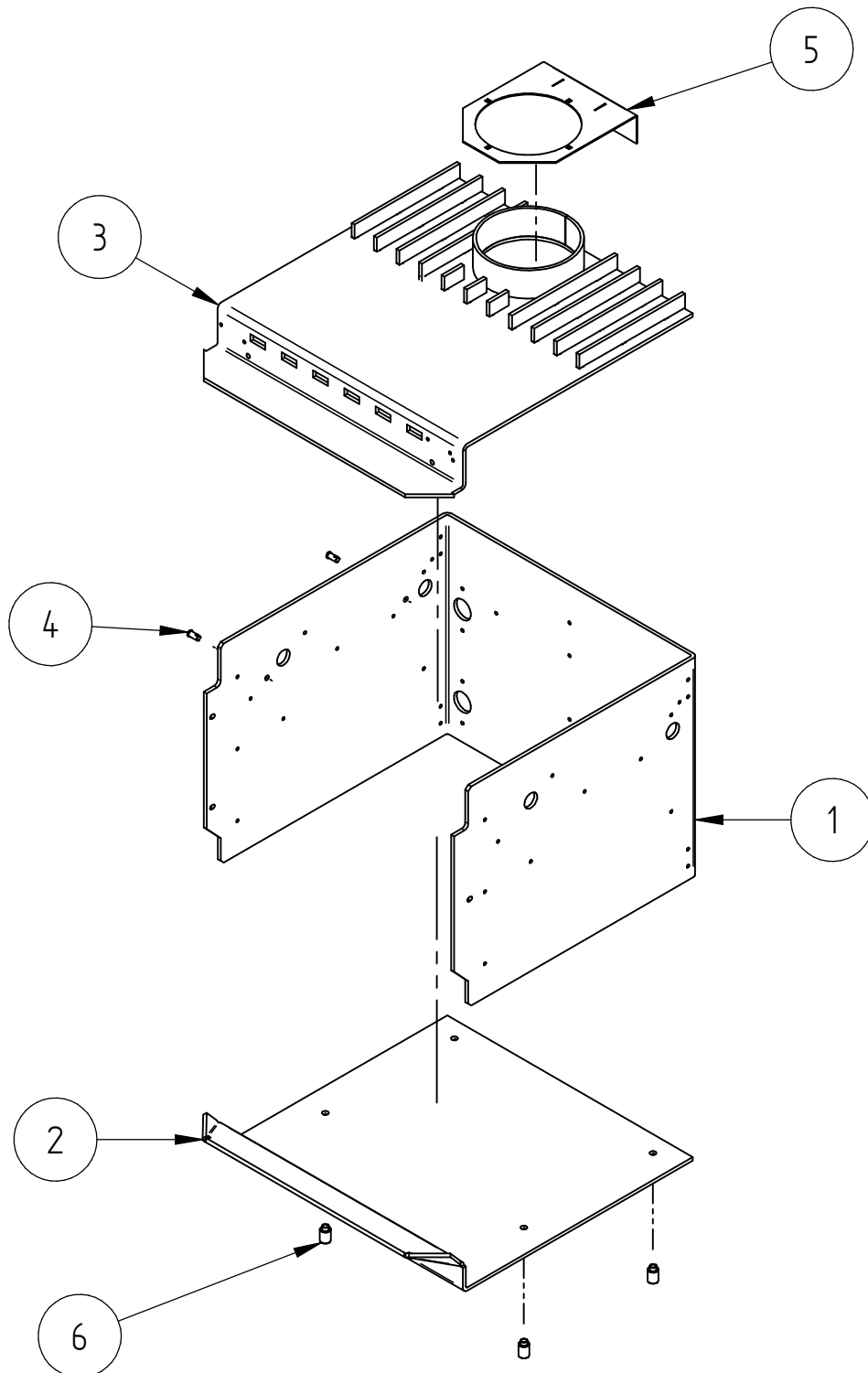
When ordering PLEASE QUOTE PART ID, MODEL Number & DESCRIPTIONS, NOT ITEM Number
determining left hand side from viewing position

AIRSLIDE, BAFFLE, BRICKS AND FIREBOX						
Item	Part ID	Model(s)			Description	Qty
		ATNBK	992913	992921		
1	AIB00116	-	-	-	AIB BAFFLE SUPPORT	2
2	ATN00036	-	-	-	ATN AIR SLIDE	1
3	ATN00130	-	-	-	ATN BODY MOUNT BRACKET	4
4	ATN00136	-	-	-	ATN REAR AIR BAR ASSEMBLY	1
5	ATN00138	-	-	-	ATN FRONT AIR BAR ASSEMBLY	1
6	ATN00183	-	-	-	ATN DOOR RIDDLE STIFFENER	1
7	ATNAC004	-	-	-	ATN FIREBOX ASSEMBLY	1
8	992083	V02	V02	V02	ATN BAFFEL PLATE ASSEMBLY	1
9	ATNAC183	-	-	-	ATN STIFFINER & GUIDE SUB	1
10	ATNAC190	-	-	-	ATN HINGE PLATE ASSEMBLY	1
11	HBA00118	-	-	-	HBA BRICK RETAINER	9
12	HBAAC102	-	-	-	HBA AIR DEFLECTOR COMPLETE	1
13	HCA00164	-	-	-	HCA SEC AIR CHANNEL	3
14	MIC00135	-	-	-	MIC WET BACK COVER PLATE	1
15	521045	-	-	-	SCREW; M6X10 PAN POZI BLK	12
16	521054	-	-	-	SCREW; M6X20 HEX ZP	2
17	521058	-	-	-	SCREW; M6X25 HEX ZP	8
18	521075	-	-	-	SCREW; M6X12 HEX ZP	6
19	521076	-	-	-	SCREW; M6X16 HEX ZP	6
20	521077	-	-	-	SCREW; M6X40 HEX ZP	2
21	521632	-	-	-	SCREW; S/T M6X15 HEX FLANGE NIC TAPTITE	9
22	521814	-	-	-	SCREW; CAP M6X35 CSK ALLEN BLK	1
23	522117	-	-	-	NUT; HEX STD M6 ZP	6
24	523018	-	-	-	WASHER; FLAT 5/16"X5/8" BLK	2
25	523036	-	-	-	WASHER; FLAT 1/4"X5/8" BLK	4
26	526101	-	-	-	CLIP; R-CLIP 1.8 DIA ST	2
27	ATN00079	-	-	-	ATN DOOR CATCH PIN	1
28	HBA00129	-	-	-	HBA AIR DEFLECTOR SPACER	8
29	MIC00083	-	-	-	LOGAIRE METRO AIR SLIDE SPACER	2
30	MIC00123	-	-	-	MIC SEC AIR CHANNEL	2
31	MIC00354	-	-	-	MIC BRICK	9
32	MIC00375	-	-	-	MIC AIR SLIDE HANDLE	1
33	525003	-	-	-	PIN; TENSION 5X24 BLK	2

*Optional Rural Sale Kit

When ordering PLEASE QUOTE PART ID, MODEL Number & DESCRIPTIONS, NOT ITEM Number
determining left hand side from viewing position

FIREBOX DETAILS

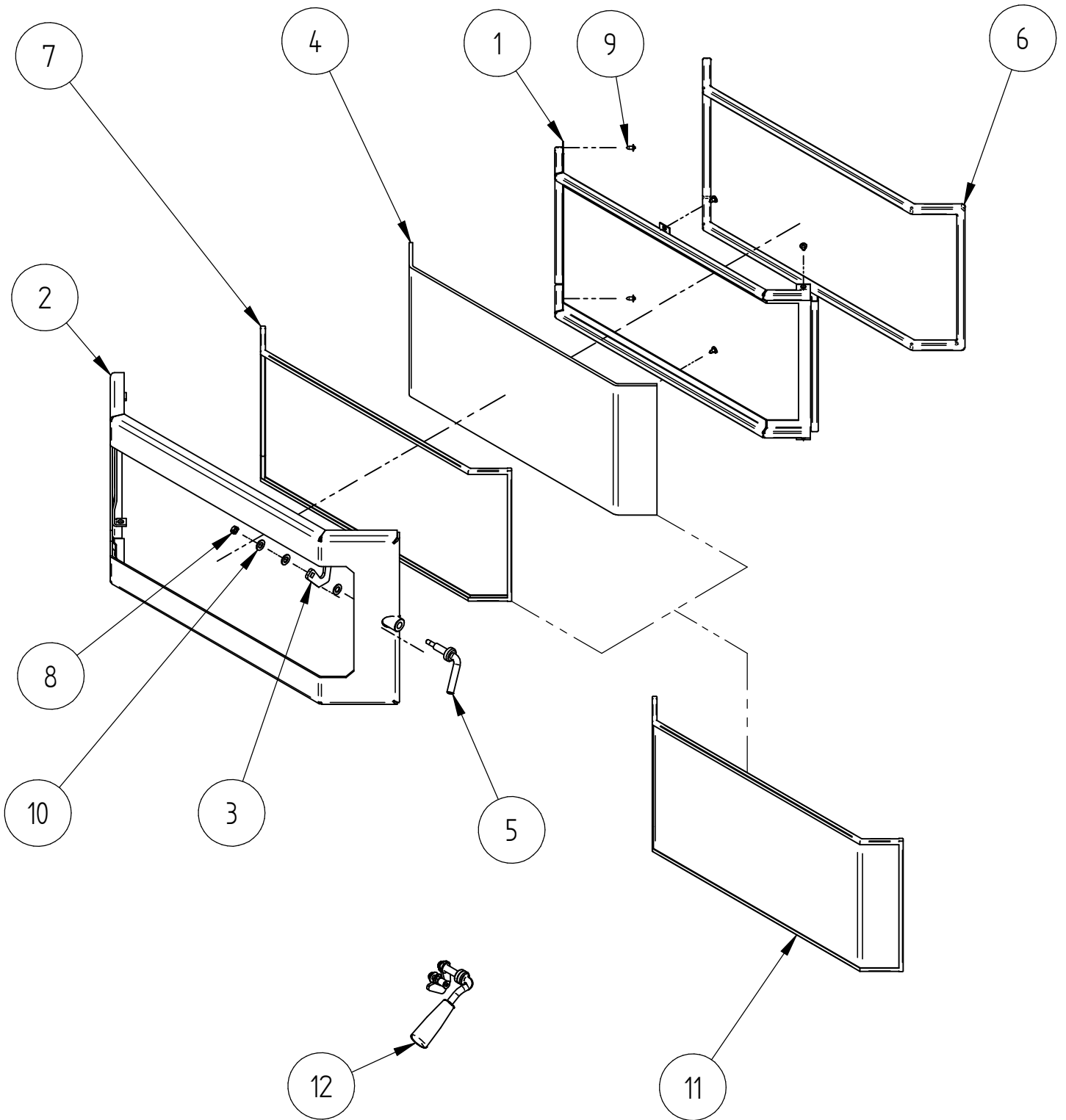


When ordering PLEASE QUOTE PART ID, MODEL Number & DESCRIPTIONS, NOT ITEM Number
determining left hand side from viewing position

FIRE BOX						
Item	Part ID	Model(s)			Description	Qty
		ATNBK	992913	992921		
1	ATN00106	-	-	-	ATN FIREBOX WRAP	1
2	ATN00107	-	-	-	ATN FIREBOX BASE	1
3	ATNAC103	-	-	-	ATN FIRE BOX TOP COMPLETE	1
4	MIC00137	-	-	-	MIC AIRBAR PIN	2
5	ATN00121	-	-	-	ATN SPIGOTT PLATE	1
6	MET00429	-	-	-	FIREBOX BUSH - SPIGOTED	4

When ordering PLEASE QUOTE PART ID, MODEL Number & DESCRIPTIONS, NOT ITEM Number
determining left hand side from viewing position

DOOR ASSEMBLY



When ordering PLEASE QUOTE PART ID, MODEL Number & DESCRIPTIONS, NOT ITEM Number
determining left hand side from viewing position

DOOR ASSEMBLY						
Item	Part ID	Model(s)			Description	Qty
		ATNBK	992913	992921		
1	ATN00034	-	-	-	ATN GLASS RETAINER	1
2	HBAAC030	E01	E01	E01	HBA DOOR FRAME COMPLETE	1
3	ATN00133	-	-	-	ATN DOOR LATCH PLATE	1
4	ATN00204	-	-	-	ATN GLASS	1
5	MIC00373	-	-	-	DOOR SPINDLE	1
6	C16MMDR	-	-	-	DOOR ROPE 16MM X 50m ROLL (MTR)	1
7	C25MMLT	-	-	-	LADDER TAPE 25x3x50m ROLL (MTR)	1
8	522117	-	-	-	NUT; HEX STD M6 ZP	1
9	521627	-	-	-	SCREW; S/T 8GX3/8" MUSH FLANGE POZI BLK	6
10	523018	-	-	-	WASHER; FLAT 5/16"X5/8" BLK	4
11*	ATN99204	-	-	-	ATN 1999 GLASS/TAPE	1
12*	ATNACDH	-	-	-	ATN DOOR HANDLE ASSEMBLY KIT	1

*Optional Sale Kit

NOT ILLUSTRATED						
Item	Part ID	Model(s)			Description	Qty
		ATNBK	992913	992921		
1	593286	-	-	-	OWNER MANUAL WOODFIRES 2010	1
2	593287	-	-	-	INSTALL MANUAL WOODFIRES 2010	1
3	ATNBRICK	-	-	-	ATLANTA BAY BRICK LAYOUT	1
4	ATNM0738	-	-	-	ATN & ATNCHW DATA SHEET	1

SURFACE FINISH CODES FOR PANELS						
VITREOUS ENAMEL		VHT PAINT(Very High Temp)			POWDER COAT	
E01	MATT BLACK	V02	P-000022	METALLIC BLACK	P02	MATT BLACK
E02	GLOSS BLACK	V03	P-000043	CHARCOAL	P03	CHARCOAL
E03	CHARCOAL	V04	P-000081	TITANIUM	P05	SATIN BLACK
		V05	P-000051	CHARCOAL (DAM MET BLK)	P09	METTALIC BLACK
		V06	P-000052	METALLIC BLACK ZINC		

LESS FREQUENTLY OR OLD SURFACE FINISH CODES FOR PANELS						
VITREOUS ENAMEL		VHT PAINT(Very High Temp)			POWDER COAT	
E04	JASMINE	V01		SATIN BLACK HIGH TEMP	P01	BLUE/BLACK
					P04	GLOSS CHARCOAL
					P07	FLAT BLACK

When ordering PLEASE QUOTE PART ID, MODEL Number & DESCRIPTIONS, NOT ITEM Number
determining left hand side from viewing position